

STACKS PIZZA AND BURGER BAR

PIZZA

| | |
|---|----|
| Garlic & Thyme Pizza | 16 |
| Margarita Pizza Buffalo mozzarella, tomato & basil | 29 |
| Pepperoni Pizza Pepperoni salami, mozzarella cheese & pizza sauce | 30 |
| Hawaiian Pizza Ham off the bone, pineapple, mozzarella cheese & pizza sauce | 31 |
| Meat Feast Chicken, pepperoni, bacon, criollo sausage, red onion, mozzarella cheese & BBQ sauce | 34 |
| Stacks Favourite Chicken, mushrooms, red onion, feta cheese, mozzarella cheese & BBQ sauce | 33 |
| Garlic Prawn Pizza Chilli & garlic prawns, capers, tomatoes, basil, mozzarella cheese & pizza sauce | 34 |
| Crudo Pizza Prosciutto, parmesan, balsamic glaze, mozzarella cheese & pizza sauce | 33 |
| Vege Delight Pizza Marinated artichokes, Kalamata olives, tomatoes, onion, spinach, mozzarella cheese & pizza sauce | 30 |
| Gluten Friendly Pizza Base | +3 |

BURGERS

| | |
|--|----|
| The Chook Crispy chilli soy chicken, lettuce, tomato, pickles & hot sauce | 23 |
| Pulled Pork Honey mustard, Asian slaw & Emmental cheese | 23 |
| Kiwi Classic Lake Ohau Wagyu Beef Patty, bacon, pickles, aged cheese, lettuce, tomato, fried egg, mustard & mayo | 24 |
| Island Vibes Fried market fish, pineapple salsa, aioli & chimichurri | 25 |
| K Burger Lake Ohau Wagyu Beef Patty, jalapeno chutney, lettuce & tomato | 24 |
| Spicy Mex ▲ Red kidney bean, smashed avocado, tomato relish, chipotle sauce & lettuce | 22 |
| Pumpkin & Quinoa ▲ Mint & cumin yoghurt, cucumber, lettuce & red onion | 22 |
| Gluten Friendly Bun | +2 |

Low Carb Option Available
Burger served in a bowl

Vegetarian ▲ | Vegan Δ

Gluten Friendly Option Available ● | Gluten Friendly ○

Dairy Friendly Option Available ■ | Dairy Friendly □

SIDES

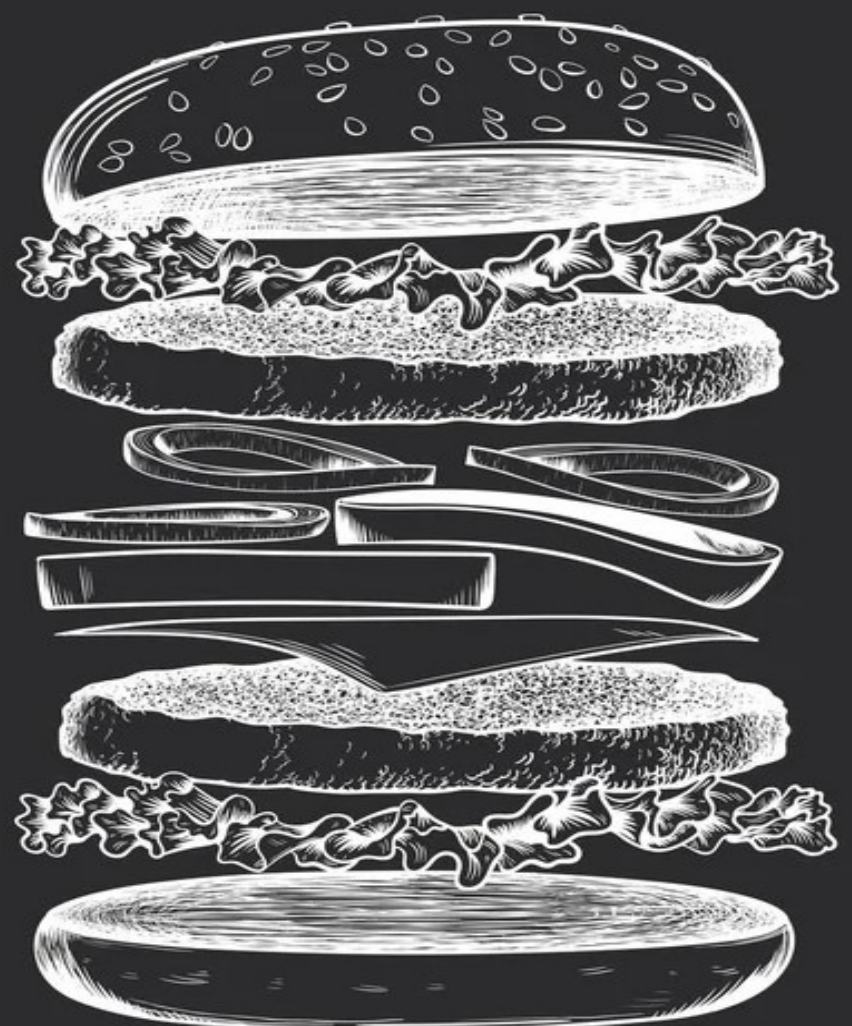
| | |
|---|----|
| Curly Fries □ | 11 |
| Shoestring Fries □ | 11 |
| Potato Wedges Sweet chilli & sour cream | 13 |
| Caesar Salad ▲□○ | 15 |
| Cos lettuce, bacon, croutons, anchovy dressing & parmesan | |
| Roasted Broccoli ▲□○ | 14 |
| Soy, garlic & sesame seeds | |
| Fried Chicken Wings □ | 17 |
| Sriracha mayo | |
| Fried Calamari | 17 |
| Lemon pepper seasoning & aioli | |
| Crumbed Onion Rings | 15 |
| Sriracha mayo | |

DESSERTS

| | |
|--|----|
| Mini Donuts ▲ | 15 |
| Cinnamon sugar & salted caramel sauce | |
| Chocolate Brownie ▲ | 15 |
| Chocolate sauce & vanilla ice cream | |
| Ice Cream Sundae ○ ▲ | 15 |
| Vanilla ice cream, chocolate ganache, caramel sauce, whipped cream & crushed roasted almonds | |

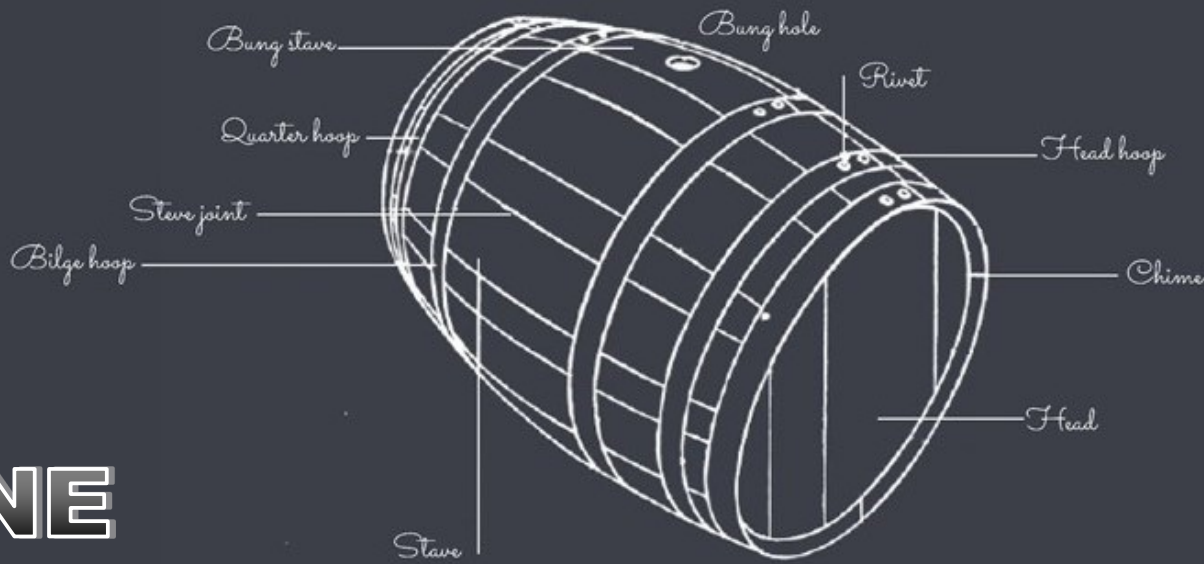
KIDS COMBO

| | |
|--|----|
| Cheese Burger | 20 |
| Ham & Cheese Pizza | 20 |
| Combos come with a drink and mini donuts | |



STACKS

PIZZA AND BURGER BAR



WINE

| BUBBLES | GLASS BOTTLE | |
|---|----------------------------|--------|
| Maker's Anonymous Prosecco <i>Australia</i> | 14 | 65 |
| Duetz Cuvee Brut <i>Marlborough, NZ</i> | 26 (200ml) | 90 |
| Pommery Brut Royal <i>Reims, Champagne, France</i> | | 145 |
| WHITE WINES | GLASS BOTTLE | |
| Rabbit Ranch Sauvignon Blanc <i>Central Otago, NZ</i> | 15 | 67 |
| Carrick Sauvignon Blanc <i>Central Otago, NZ</i> | | 85 |
| Wild Earth Pinot Gris <i>Central Otago, NZ</i> | 15 | 67 |
| Church Road Chardonnay <i>Hawke's Bay, NZ</i> | 15 | 67 |
| ROSE | GLASS CARAFE 500ml/1ltr | |
| Mount Edward Rose (On Tap) <i>Central Otago, NZ</i> | 15 | 45/82 |
| Gibbston Valley GV Collection <i>Central Otago, NZ</i> | | 67 |
| REDS | GLASS CARAFE 500ml/1ltr | |
| Mount Edward Pinot Noir (On Tap) <i>Central Otago, NZ</i> | 18 | 54/102 |
| Stacks' First Drop Pinot Noir <i>Central Otago, NZ</i> | | 85 |
| 19 Crimes Shiraz <i>South Australia</i> | 15 | 67 |
| Church Road 'McDonald Series' Cabernet Sauvignon <i>Hawke's Bay, NZ</i> | 17 | 80 |
| | BOTTLE | |

BEER

| FROM THE TAP | 400ml | 1 litre Jug |
|--|-------|----------------|
| Speights Summit Ultra <i>Dunedin, NZ</i> | 12 | 26 |
| Emerson's Pilsner <i>Dunedin, NZ</i> | 14 | 30 |
| Panhead Supercharger APA <i>Wellington, NZ</i> | 14 | 30 |
| Panhead Sandman Hazy <i>Wellington, NZ</i> | 14 | 30 |
| Stella Artois <i>Belgium</i> | 14 | 30 |
| Ginger Bear <i>Queenstown, NZ</i> | 14 | 30 |
| FROM THE BOTTLE | 330ml | 750ml |
| Speights Gold Medal Ale <i>Dunedin, NZ</i> | 11 | 17 |
| Steinlager Classic <i>Auckland, NZ</i> | 11 | 17 |
| Corona <i>Mexico</i> | 13 | |
| Little Creatures Pale Ale <i>Fremantle, Australia</i> | 13 | |
| Emerson's Pilsner Low Carb <i>Wellington, NZ</i> | 13 | |
| Mischievous Kea IPA <i>Queenstown, NZ</i> | 14 | |
| Guinness (440ml) <i>Dublin, Ireland</i> | 15 | |
| Steinlager 0% <i>Auckland, NZ</i> | 9 | |
| Steinlager Light <i>Auckland, NZ</i> | 9 | |
| Zeffe Crisp Apple Cider | 12 | |
| Zeffe Passionfruit Cider 0% | 8 | |

SOFT DRINKS

| | |
|---|---|
| Coke, Coke No Sugar, Lemonade, Soda Water, Tonic Water, Ginger Ale, Schweppes Ginger Beer, Schweppes Lemon Lime & Bitters | 6 |
| Juice: Orange, Apple, Pineapple, Cranberry | 6 |
| Santa Vittoria Still Water, Sparking Water (500ml) | 7 |

SPIRITS

| GIN | |
|--------------------------------------|----|
| Beefeater | 12 |
| Bombay Sapphire | 14 |
| Rifters | 17 |
| VODKA | |
| Absolut | 12 |
| Absolut Elyx | 17 |
| Broken Shed | 16 |
| TEQUILA | |
| Olmeca | 12 |
| Olmeca Altos | 15 |
| RUM | |
| Havana Club Añejo 3 Años | 12 |
| Havana Club Añejo 7 Años | 16 |
| Captain Morgan's Spiced Rum | 13 |
| Malibu | 11 |
| WHISKY | |
| Ballentines | 12 |
| Jameson | 13 |
| Glenlivet 15 yr old | 17 |
| Jack Daniel's | 14 |
| LIQUEUR | |
| Baileys | 12 |
| Kahlua | 12 |
| Jagermeister | 12 |
| Fireball | 12 |
| Jumping Goat | 12 |
| Midori | 12 |
| *Additional 2 charge for all mixers | |
| RTD'S | |
| Pimm's Lemonade & Ginger Ale | 10 |
| Canadian Club Lime & Soda | 10 |
| Malfy Rosa Gin Tonica 300ml | 13 |
| Malfy Limone Gin Tonica 300ml | 13 |
| Scapegrace Vodka Soda Lime | 11 |
| Scapegrace Vodka Pomegranate Plum | 11 |
| Jameson Dry & Lime | 10 |